

A tilt adaptor kits are available for both GL500 and GL520 luminaire. Designed for easy installation, providing tilt adjustment of positive and negative 5, 10 and 15 degrees. We also have a multi tilt adaptor that provides -5, -10 and +5 degrees with the single bracket.

Benefits

The tilt wedge kit provides the ability to adjust tilt on existing installations. Allowing flexibility and control over spill light, whilst maximising spacing.

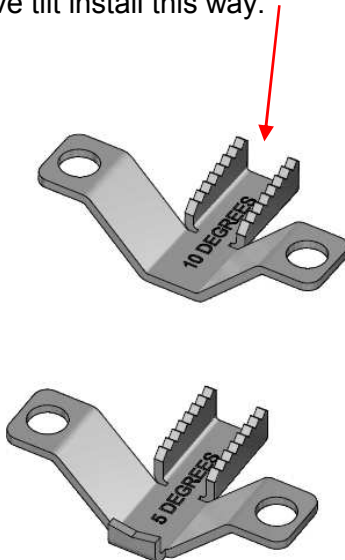
Made from stainless steel, with an engraved description and serrated edge ensures positive identification of the tilt adjustment and a secure connection to the outreach arm.

Kit Includes

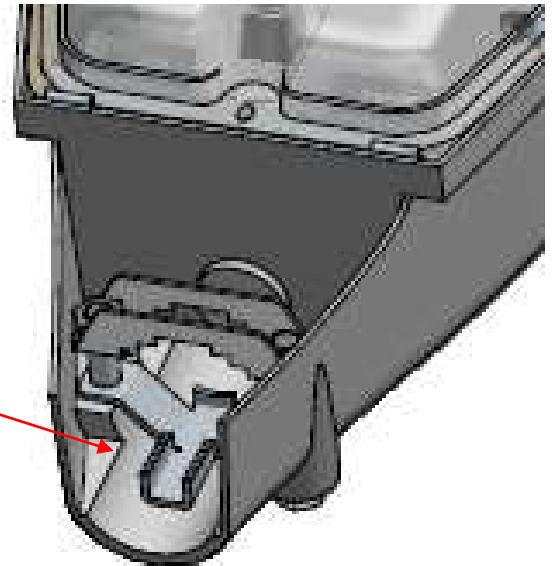
- Stainless Tilt Bracket, 1 per.
- M8 x 60 Stainless Bolts, 2 per (required for 43mm spigots)
- Stainless Nuts and Washers, 2 per.

Installation

Suitable for spigot outreach arms from 25mm to 44mm O.D. For negative tilt install as shown. For positive tilt install this way.



Assembly Drawing



Ordering Information

S-TILT WEDGE-GL500-5

5 Degree Tilt Wedge Kit

S-TILT WEDGE-GL500-10

10 Degree Tilt Wedge Kit

S-TILT ADAPTOR-GL520 15DEGRE

15 Degree Tilt Wedge Kit

S-TILT ADAPTOR-GL520

Multi tilt -5, -10 and +5